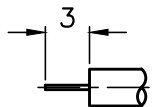
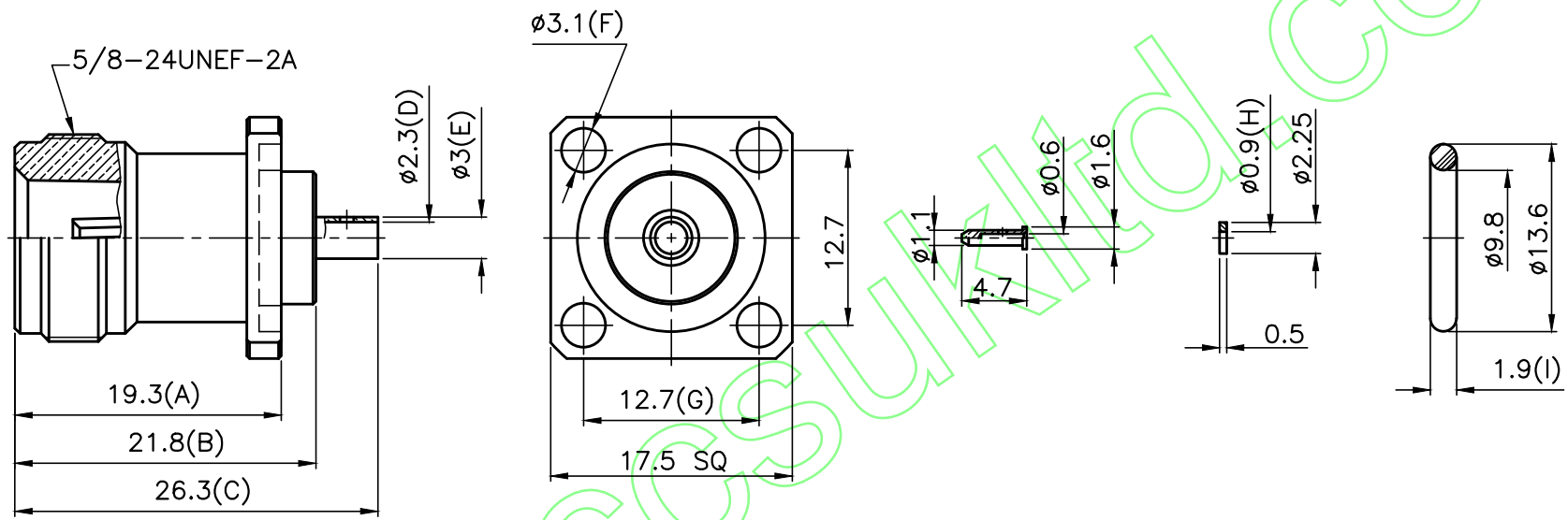


REVISIONS		
ISS	DESCRIPTION	DATE



RECOMMENDED
CABLE STRIPPING DIM'S

RoHS COMPLIANT



TITLE: N FEMALE PANEL RECEPTACLE
(FOR .085", .086")

PART NO: NPAJDS405 055

DRAWING NO: SHEET: .

APRD: UNLESS OTHERWISE SPECIFIED TOLERANCES
 0.5-6 = ±0.2
 >6-30 = ±0.4
 >30-120 = ±0.6
 >120-315 = ±1
 >315-1000 = ±1.6
 ANGLES = ±5°

CHKD: UNIT: mm

DR: SCALE: 2/1

DATE: 10/26/16" SHEET: .

BULLET CONTACT	BRASS	GOLD
O RING	RUBBER	BLACK
INSULATOR	TEFLON	WHITE
BODY	BRASS	GOLD
BODY	BRASS	NICKEL
CENTER CONTACT	BRONZE	NICKEL
INSULATOR	TEFLON	WHITE
CENTER PIN	PHOSPHOR BRONZE	GOLD
BODY	BRASS	NICKEL
NO. DESCRIPTION	MATERIAL	FINISH